

FIG 17D COMPONENT PRINT
ATH 0326 72070 BY CD 15-11-90

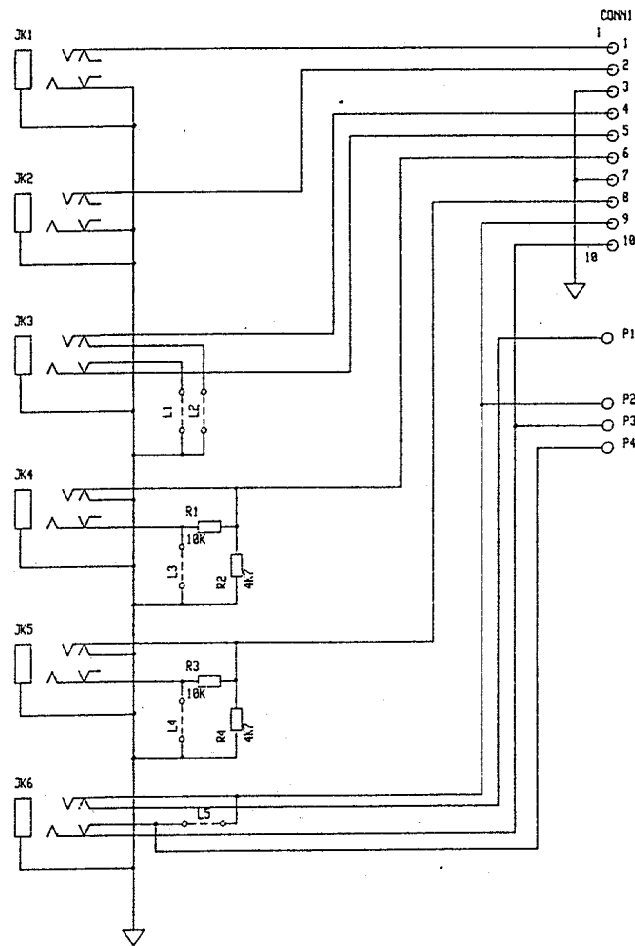
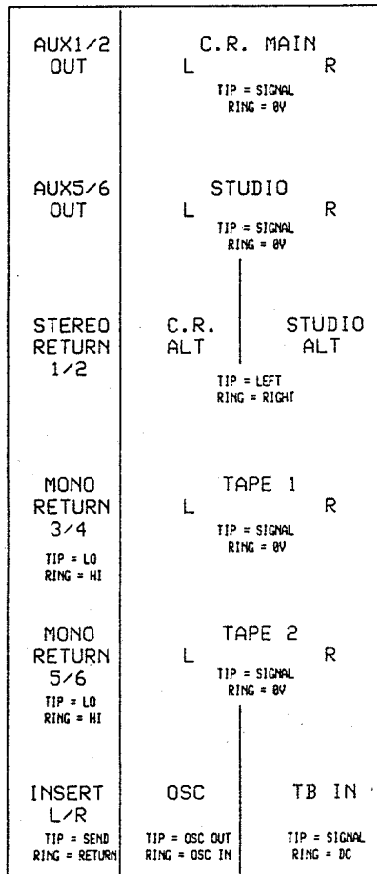
REVISION	BY	DATE
ORIGIN	GMR	
ISSUE 2 PRODUCTION	CD	14-11-90

- NOTES
- RESISTORS MARKED * ARE 1%
ALL OTHERS ARE 5% 1/4W UNLESS OTHERWISE MARKED
 - ELECTROLYTIC CAPACITORS ARE µF/VOLTS

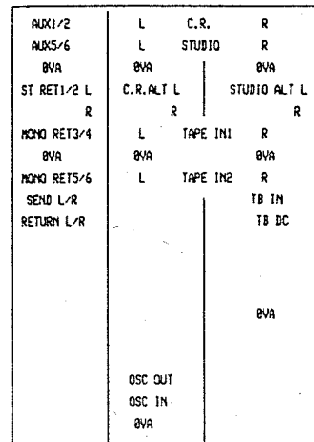
UNIT TITLE	SERIES 200
DRAWING TITLE	3-JACK PCB
	PCB TYPE AG0202

ALLEN & HEATH
KERNICK IND. EST.
PENRYN TEL. 0326 72070
CORNWALL TR10 9LU FAX. 0326 77097
DRAWING No. D043 ISSUE 2

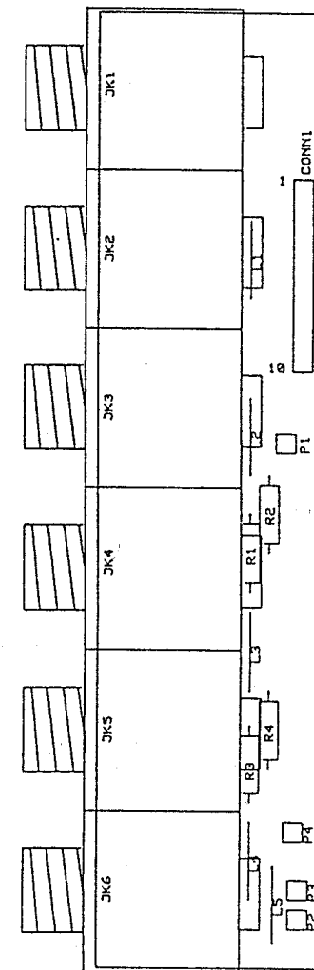
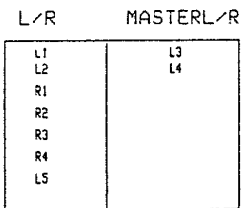
L/R MASTER-L MASTER-R



L/R MASTER-L MASTER-R



2 ASSEMBLY LOADINGS REQUIRED
FIT AS FOLLOWS:



FW012D COMPONENT PRINT
ALH 0326 72070 BY CD 15-11-90

REVISION	BY	DATE
ORIGIN	CHR	
ISSUE 2	PRODUCTION	CD 14-11-90

NOTES

- RESISTORS MARKED * ARE 1%
ALL OTHERS ARE 5% 1/4W UNLESS OTHERWISE MARKED
- ELECTROLYTIC CAPACITORS ARE 10% TOL

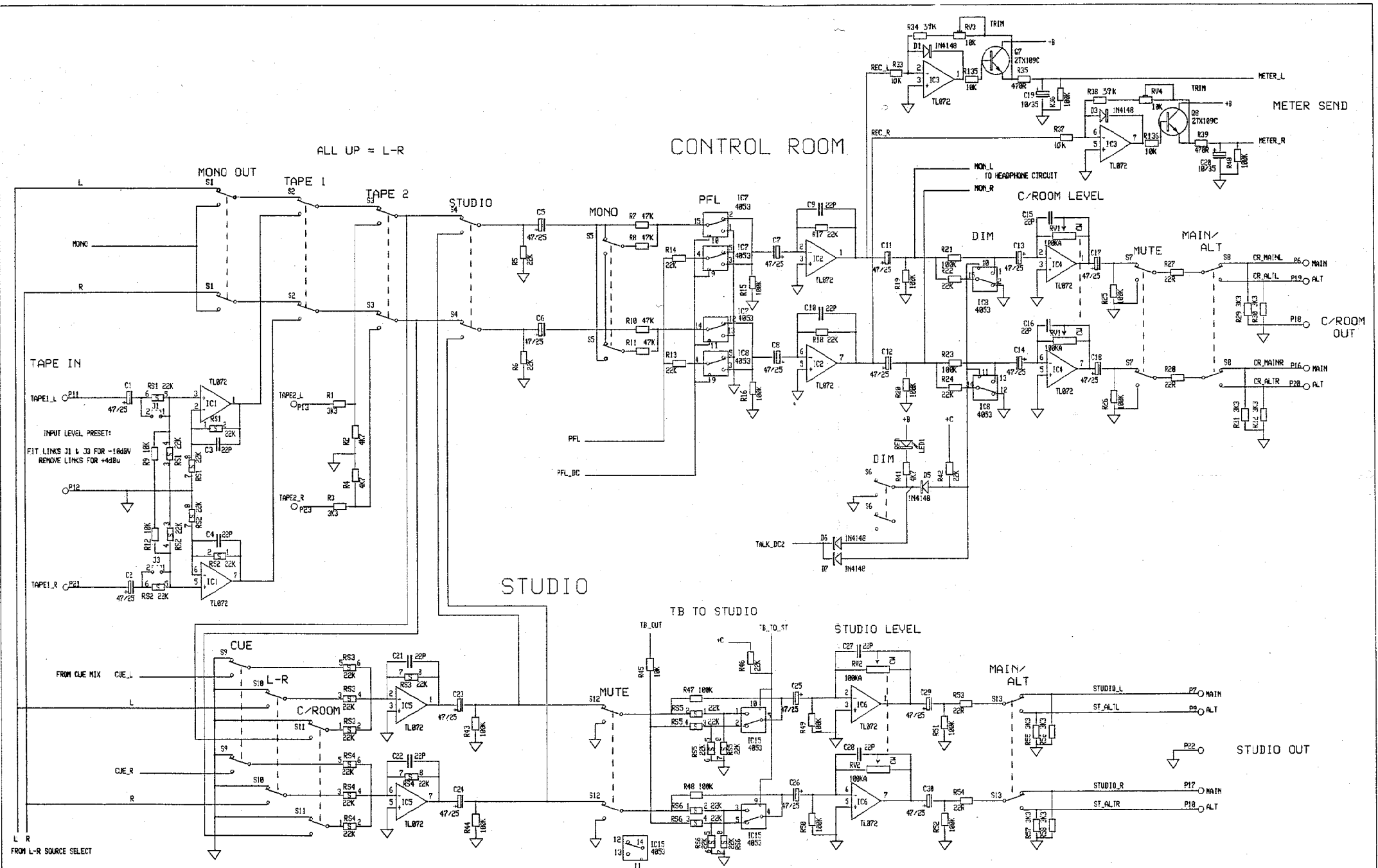
UNIT TITLE
SERIES 200

DRAWING TITLE
6-JACK PCB
PCB TYPE AG0203

ALLEN & HEATH

KERNICK IND. EST.
PENRYN IEL. 0326 72070
CORNWALL TR:0 9LU FAX. 0326 77097

DRAWING No. D044 ISSUE 2

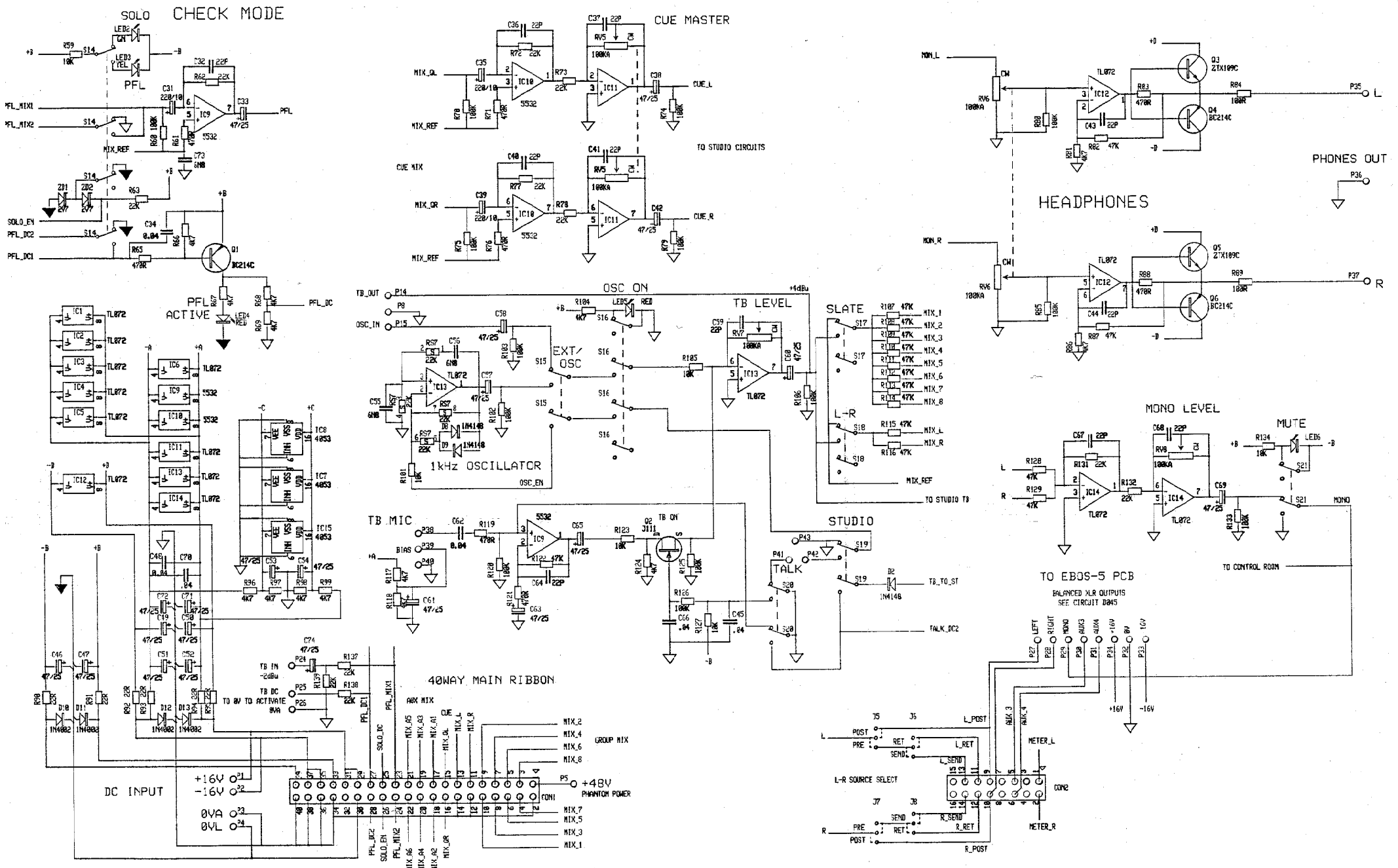


REVISION	BY DATE
ORIGIN	CD 18-9-90
ISS.2 PRODUCTION	CD 18-11-90

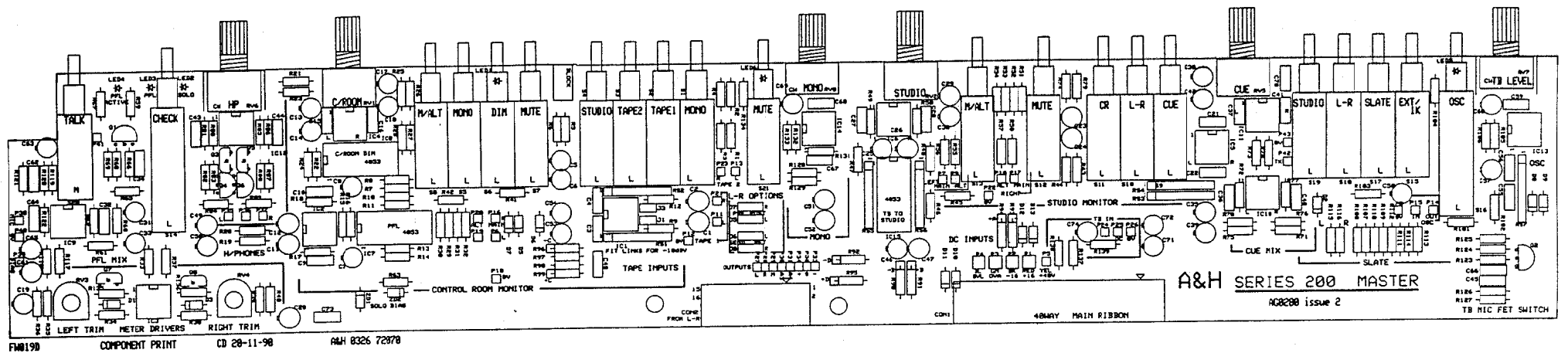
NOTES
1. RESISTORS MARKED * ARE 1% ALL OTHERS ARE 5% 1/4W UNLESS OTHERWISE MARKED
2. ELECTROLYTIC CAPACITORS ARE µF/VOLTS

UNIT TITLE	SERIES 200
DRAWING TITLE	SHEET 1 OF 2
M250 MASTER CIRCUIT	
PCB TYPE AQ0280	

ALLEN & HEATH	
KERNICK IND. EST.	TEL. 0326 72070
PENRYN	
CORNWALL TR10 9LU	FAX. 0326 77097
DRAWING No. D041	ISSUE 2

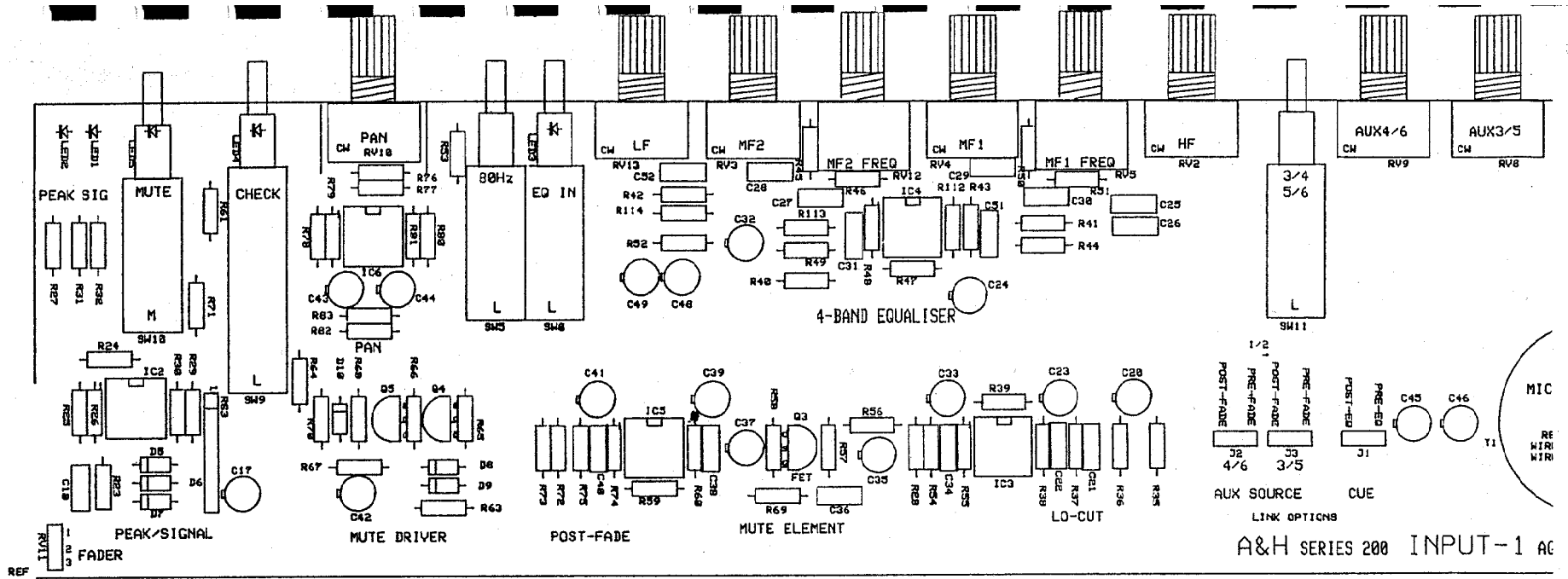


REVISION	BY DATE	NOTES	UNIT TITLE	SERIES 200	ALLEN & HEATH
ORIGIN ISS.2 PRODUCTION	CD 18-9-90 CD 18-11-90	1. RESISTORS MARKED * ARE 1% ALL OTHERS ARE 5% 1/4W UNLESS OTHERWISE MARKED 2. ELECTROLYTIC CAPACITORS ARE µF/VOLTS	DRAWING TITLE	SHEET 2 OF 2	KERNICK IND. EST. TEL. 0326 72070 PENRYN CORNWALL TR10 9LU FAX. 0326 77097
			M250 MASTER CIRCUIT	PCB TYPE AQ0280	DRAWING No. D041 ISSUE 2

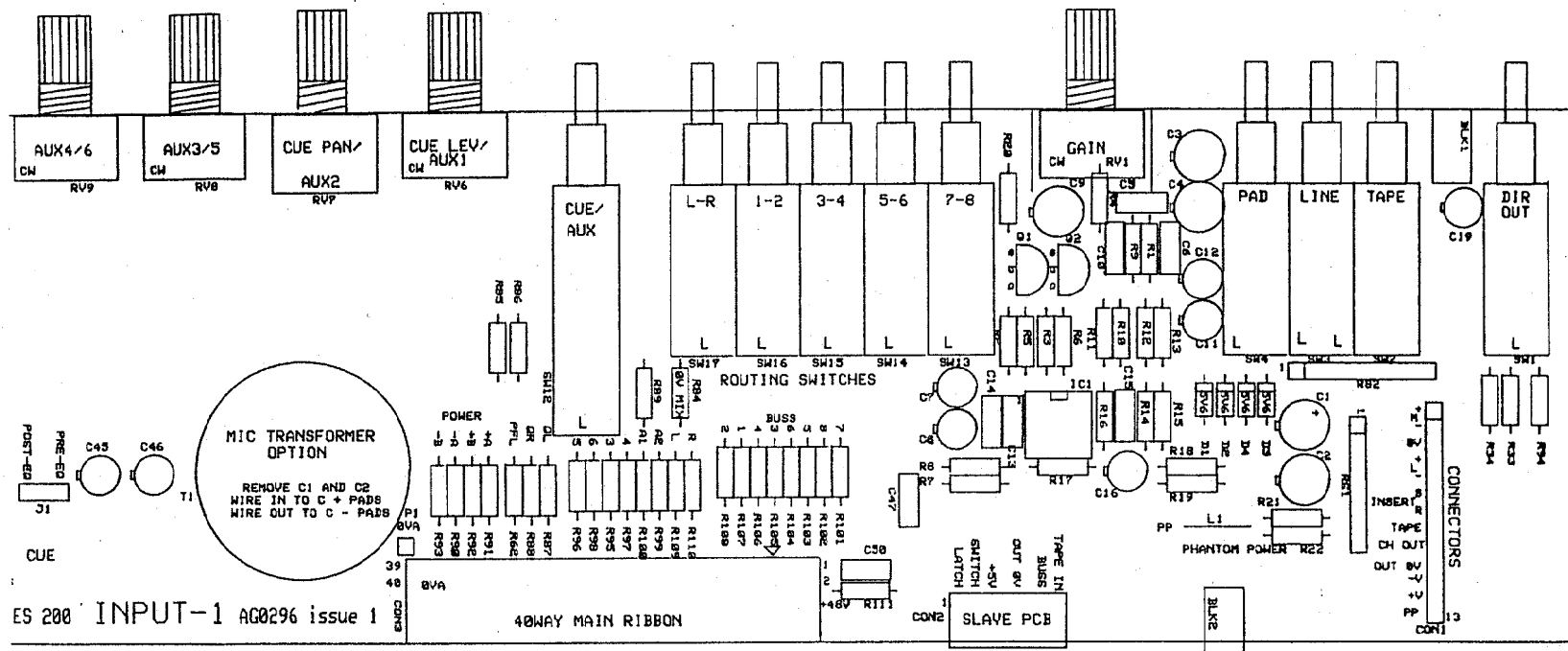


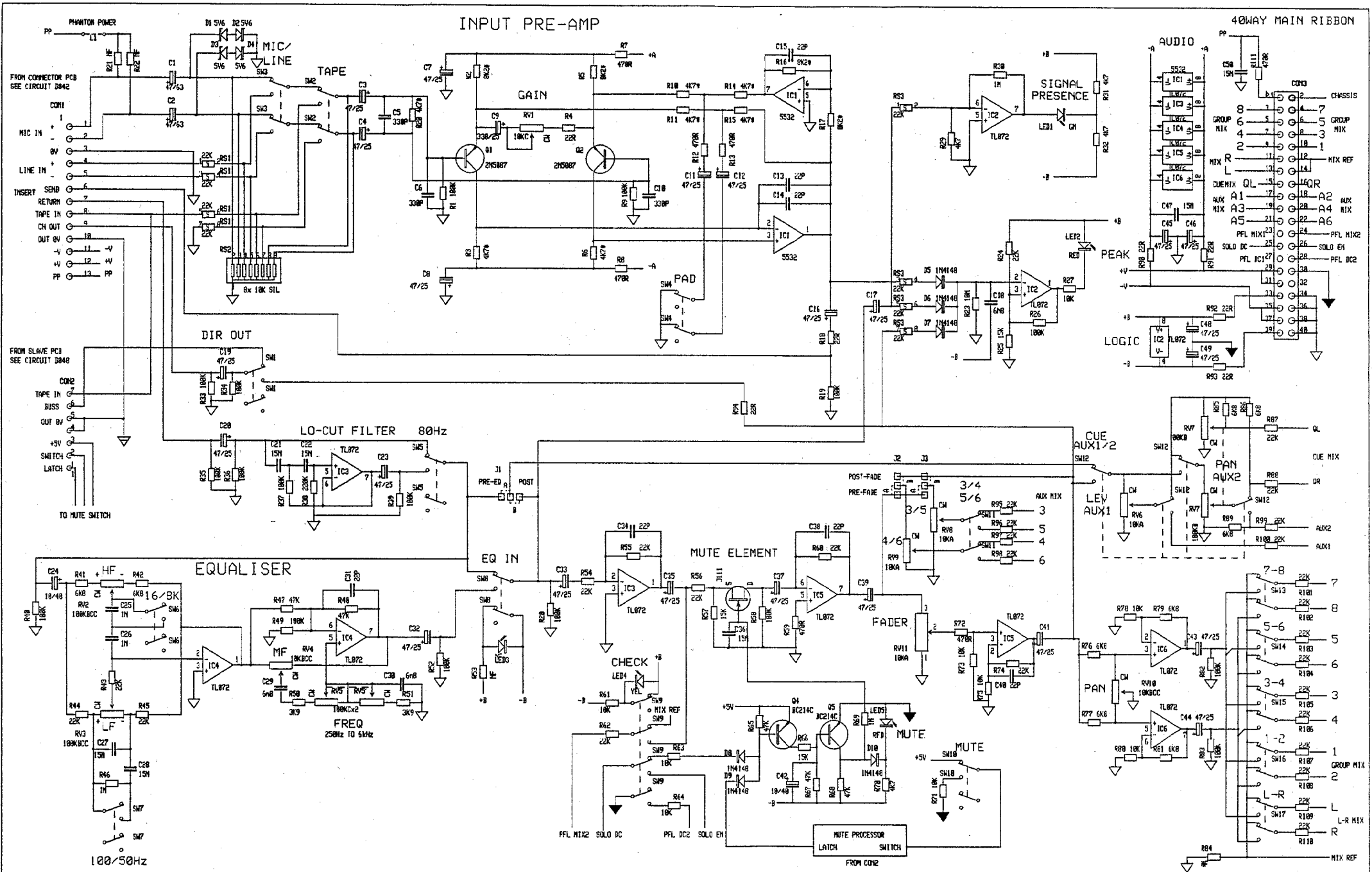
A&H SERIES 200 MASTER
 A08200 issue 2

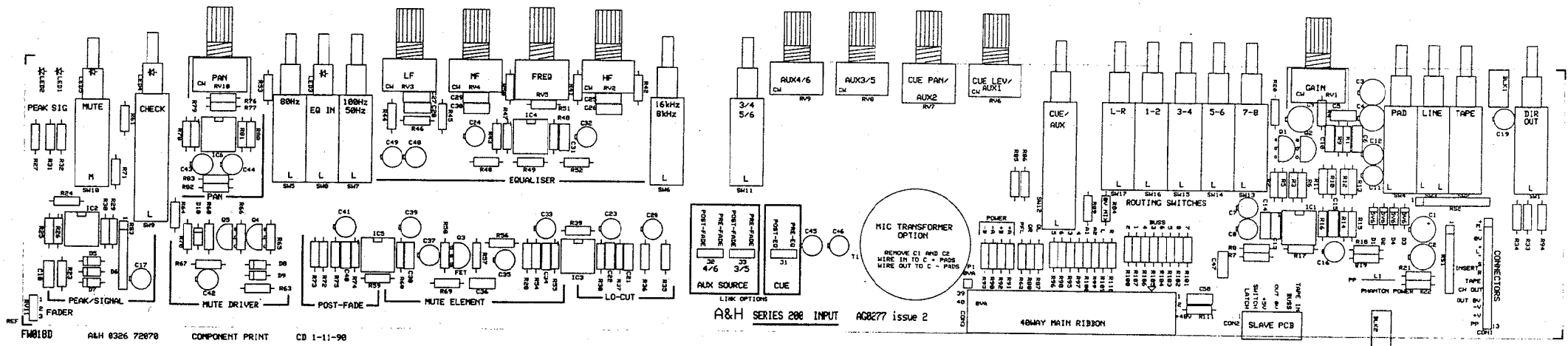
FMB190 COMPONENT PRINT CD 28-11-98 A&H 8326 72978



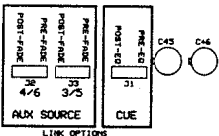
FW022D A&H 0326 72070 COMPONENT PRINT CD 8-4-91







FM018D ALH 8326 72878 COMPONENT PRINT CD 1-11-98



A&H SERIES 206 INPUT AG8277 issue 2

